

# TOWER®

*over 100 YEARS of quality*

T113003BLG

## RFIPRO 29.6V Cordless 3-in-1 Vacuum Cleaner



**3** | YEAR  
GUARANTEE



**GREAT BRITISH**  
DESIGN SINCE 1912

SAFETY AND INSTRUCTION MANUAL

PLEASE READ CAREFULLY

\*Subject to registering your Extended Guarantee online at [www.towerhousewares.co.uk](http://www.towerhousewares.co.uk).



## Towerbrand

GREAT BRITISH DESIGN, INNOVATION  
AND EXCELLENCE SINCE 1912

Since the turn of the 20th century, Tower has been designing, developing and manufacturing housewares and small appliances used by millions of households throughout the UK and beyond. During the 1960s, the rise in popularity of pressure cooking saw Tower become the UK's largest producer of pressure cookers, right through into the late 1980s. In recent years the Tower brand has been reborn with an exciting and varied range of housewares and electrical appliances that have quickly reinstated the brand's richly deserved status as a household name.

# TOWER

Visit  
[www.towerhousewares.co.uk](http://www.towerhousewares.co.uk)  
for more fantastic products.

Thank you for purchasing this appliance from the Tower range.

Please read this manual carefully **BEFORE** using the appliance for your own safety.

It has been designed to provide many years of trouble-free use.

**There are many benefits to using a Tower Cordless 3-in-1 Vacuum Cleaner:**

- 140W motor.
- Up to 55 minutes run time.
- Boost mode for more powerful cleaning.
- 800ml dust tank minimises the need for emptying.
- Lightweight design.
- 3-in-1 tool allows for more versatile cleaning.

## Contents:

1. **Specifications**  
Components and structure
2. **Technical Data**
3. **Important Safety Information**
4. **Before First Use**
5. **Using your Appliance**
6. **Troubleshooting**
7. **Recycling**
8. **Cleaning & Care**
9. **Wiring Safety**
10. **Warranty Information**

See back page for Customer Service Information.

**Call us first, we can help.**

With advice, spares and returns.

Visit our website: [towerhousewares.co.uk](http://towerhousewares.co.uk) Call: +44 (0)333 220 6066  
(8.30am to 6.00pm Monday-Friday)

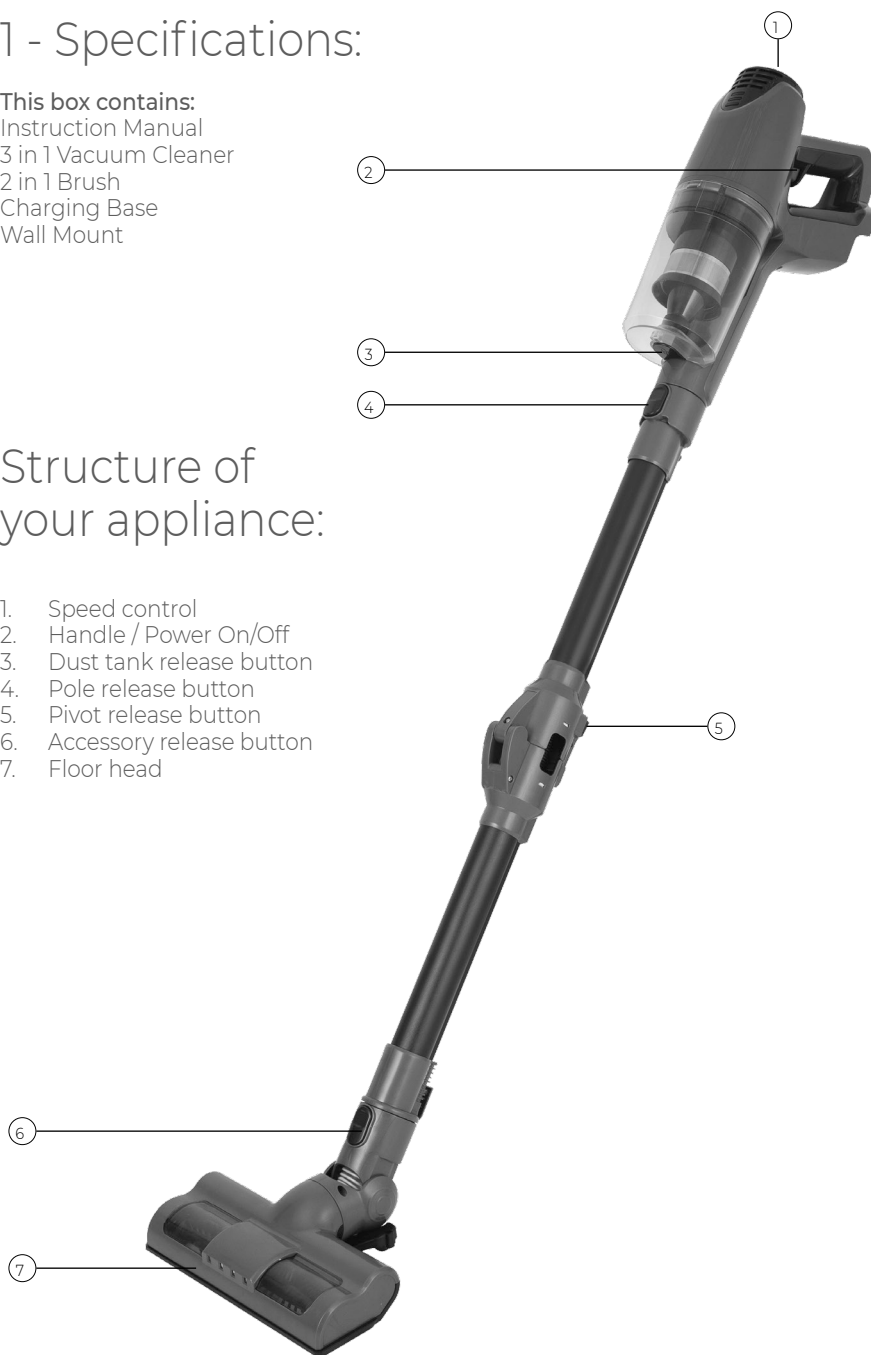
# 1 - Specifications:

**This box contains:**

Instruction Manual  
3 in 1 Vacuum Cleaner  
2 in 1 Brush  
Charging Base  
Wall Mount

## Structure of your appliance:

1. Speed control
2. Handle / Power On/Off
3. Dust tank release button
4. Pole release button
5. Pivot release button
6. Accessory release button
7. Floor head



## 2 - Technical Data:

Description:	RFIPRO 29.6V Cordless 3-in-1 Vacuum Cleaner
Model:	T113003BLG
Adaptor Rating	
Input:	100-240VAC, 50/60Hz
Output:	35V 500mA
Product rating:	DC 29.6V, 140W

### Documentation

We declare that this product conforms to the following product legislation in accordance with the following directive(s):

2014/30/EU	Electromagnetic Compatibility Directive.
2014/35/EU	Low Voltage Directive.
2011/65/EU	Restriction of Hazardous Substances Directive.
2009/125/EC	Eco-Design of Energy Related Products.

RK Wholesale LTD Quality Assurance, United Kingdom.

Should you encounter problems or require a replacement part, contact the Tower Customer Support Team: **+44 (0) 333 220 6066**.

Some spare parts may be ordered from the Tower website.  
Your warranty becomes void should you decide to use non Tower spare parts.  
Spare parts can be purchased from **[www.towerhousewares.co.uk](http://www.towerhousewares.co.uk)**

### Guarantee for spare parts:

The spares and accessories are guaranteed for 1 year from date of purchase.  
The main body and housing are guaranteed for the extended free warranty subject to registration.  
If any defect arises due to faulty materials of workmanship, the faulty products must be returned to the place of purchase within 12 months from the date of purchase.  
Refund or replacement is at the discretion of the retailer.

### 3 - Important Safety Information:

Please read these notes carefully BEFORE using your Tower appliance

- Check that the voltage of the main circuit corresponds with the rating of the appliance before operating.
- If the supply cord or appliance is damaged, stop using the appliance immediately and seek advice from the manufacturer, its service agent or a similarly qualified person.
- DO NOT let the cord hang over the edge of a table or counter or let it come into contact with any hot surfaces.
- DO NOT carry the appliance by the power cord.
- The use of accessory attachments is not recommended by the appliance manufacturer apart from those supplied with this product. DO NOT use extension cords with the appliance.
- DO NOT pull the plug out by the cord as this may damage the plug and/or the cable.
- Switch off at the wall socket then remove the plug from the socket when not in use or before cleaning.
- Switch off and unplug before fitting or removing tools/ attachments, after use and before cleaning.
- Close supervision is necessary when any appliance is used by or near children.
- Children should not play with the appliance.
- This appliance can be used by children aged from 8 years and above and persons with reduced physical, sensory or mental capabilities or lack of experience and knowledge if they have been given supervision or instruction concerning use of the appliance in a safe way and understand the hazards involved.
- Cleaning and user maintenance should not be undertaken by children without supervision.

- Take care when any appliance is used near pets.
- Not suitable for carpets with long fibres as the bristles will damage the fibres.
- Keep the vacuum cleaner moving over the carpet surface at all times to avoid damaging the carpet fibres.
- DO NOT use this product for anything other than its intended use.
- DO NOT immerse cords, plugs or any part of the appliance in water or any other liquid.
- This appliance is for household use only.
- DO NOT use the appliance outdoors.
- Keep hair, loose clothing, fingers and all body parts away from moving parts.
- DO NOT use to pick up flammable liquids such as gasoline or use in an area where they might be present.
- DO NOT use the appliance without the dust container filter in place.
- DO NOT pick up anything that is burning or smoking such as cigarettes, matches or hot ashes.
- Use extra care when cleaning on stairs.
- Use only manufacturer's recommended accessories.
- DO NOT pull cord, use cord as a handle, close a door on cord, or pull cord around sharp edges or corners.
- DO NOT run vacuum cleaner over the cord. Keep cord away from heated surfaces.
- This product is fitted with a thermal cut-out, which will activate if the motor overheats due to blocked air inlets. If the appliance cuts out, allow it to cool for 1 hour, then empty the dust container and clean all of the filters.
- In the unlikely event the appliance develops a fault, stop using it immediately and seek advice from the Customer Support Team:  
**+44 (0) 333 220 6066**

## 4 - Before First Use

Read all instructions and safety information carefully before first use. Please retain this information for future reference.

1. Remove the product from the box.
2. Remove any packaging from the product.
3. Please retain all packaging until you have checked and counted all the parts and the contents against the parts list.
4. Charge the rechargeable battery.
5. Dispose of the packaging in a responsible manner.

## 5 - Using Your Appliance

### Installing the Charging Base:

1. To install the charging base, begin by inserting the pin end of the DC adaptor into the slot of the charging base, as shown in Fig. 1.
2. Once this pin has been inserted, place the base against a wall and use two screws to fix it into place, as shown in Fig. 2.
3. Your charging base is now ready for use.



Fig. 1

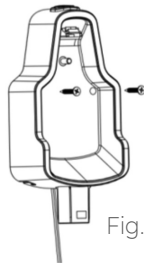


Fig. 2

### Charging the Unit:

1. The vacuum will not be charged when unpacked and so must be charged before first use. Before charging, ensure that the appliance is switched off.
2. While in use, the unit's battery level is represented by three LED indicators located on the main body. These indicators will light up when the vacuum is charged, and will progressively go out one by one as the vacuum loses charge. When the battery power is fully drained, the last of these indicators will flash for about 30 seconds to a minute, and the unit will stop working. When this occurs, it is recommended that you charge your vacuum cleaner immediately.
3. To charge the vacuum cleaner, place the unit on the charging base, ensuring it is firmly secured into place. Then, connect the charger mains plug to a suitable mains outlet, as shown in Fig. 3. A blue LED indicator will light up and flash to indicate the unit is charging.
4. The vacuum is fully charged when all three of the LED indicators on the main body of the unit are illuminated. This usually takes between 4 and 5 hours.
5. Once the vacuum is fully charged, release it from the base by pushing the release button on the base and pulling the unit loose, as shown in Fig. 4.



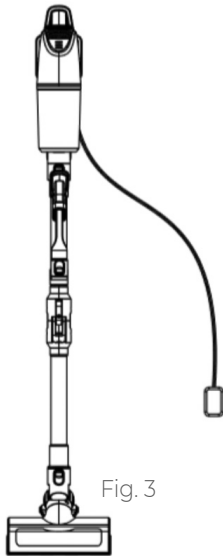


Fig. 3



Fig. 4

#### Assembly:

1. Carefully unpack the vacuum cleaner. Ensure that all parts are included before discarding the packaging.
2. Insert the vacuum cleaner handle into the vacuum pole, ensuring the two locking pins are correctly aligned. Push the two parts together until you hear them click into place.
3. Connect the vacuum pole to the power brush, ensuring the two locking pins are correctly aligned. Push the two parts together until you hear them click into place.
4. To detach the handle, push the button at the top of the pole and pull the upper part firmly away from the lower portion of the vacuum cleaner.

**Note:** Keep the brushes free of fibres, hairs, and other objects that could impede proper functioning. Always remove these types of objects when the brush picks them up.

#### Using the Stick Vacuum Cleaner:

Use the vacuum in stick mode to clean floors and carpets.

When using the stick, always make sure the dust compartment is attached to the handheld vacuum cleaner.

1. Connect the handheld vacuum cleaner to the stick, ensuring it clicks into place.
2. Press and hold the On/Off button on the stick for at least 3 seconds to switch on the appliance. The LED indicators on the body of the unit will light up to indicate it is turned on.
3. Press the speed control button (labelled 'MAX') at the top of the unit to alternate between high and low speed, as required.
4. After use, short-press the On/Off button to switch off the appliance.

**Note:** Use the handheld vacuum cleaner without the stick to vacuum small and hard-to-reach areas, such as tables, furniture or car seats.

1. If the handheld vacuum cleaner is placed in the stick, press the On/Off button on the stick to switch off the appliance before you remove the handheld vacuum cleaner.
2. Press the handheld stick release button, located at the top of the vacuum pole, and remove the handheld vacuum cleaner from the stick.
3. Press and hold the On/Off button on the stick for at least 3 seconds to switch on the appliance. The LED indicators on the body of the unit will light up to indicate it is turned on.
4. Press the speed control button (labelled 'MAX') at the top of the unit to alternate between high and low speed, as required.
5. After use, short-press the on/off button to switch off the appliance.

#### **Connecting the Accessories:**

1. The handheld vacuum cleaner comes complete with a 3-in-1 bristle brush, upholstery brush and crevice tool, ideal for vacuuming corners, narrow gaps, upholstery and delicate surfaces.
2. To attach this accessory to the vacuum cleaner, push it into the main body of the unit until it clicks into place.
3. To remove this accessory, push the accessory release button, located at the bottom of the vacuum pole, and pull the accessory firmly away from it until it detaches.

**Note:** Keep the brushes free of fibres, hairs, and other objects that could impede proper functioning. Always remove them when it occurs.

**Note:** This vacuum cleaner works best on smooth surfaces such as wood, ceramic, tiles and marble. It will also perform well on hard, short-haired carpet. It should NOT be used on long-haired carpets as the fibres will damage the system.

#### **Using the Foldable Hose:**

1. This vacuum cleaner features a foldable hose inside the pole, for easy storage. To release the pole and fold the vacuum cleaner, press the 'T'-shaped button on the handle of the unit.
2. Before next use, push the pole back to an upright position until it clicks into place. Your vacuum cleaner is now ready for normal use.

## 6 - Troubleshooting

Problem	Possible Solution
The vacuum will not work	The vacuum may have run out of charge. Charge fully. This vacuum cleaner is equipped with a motor protective thermostat. If for some reason your vacuum overheats, the thermostat will automatically turn the suction motor off. Should this occur, allow it to cool for 1 hour, then empty the dust container and clean all of the filters.
Vacuum will not pick-up or suction power is weak	The dust container may be full, or the filters may require cleaning. Empty the dust container and clean the filters. Check to make sure the Brush roller is clear of fibres.
Dust is escaping from the vacuum	The filter may not be installed correctly, or the dust container may be full. Empty the dust container and reassemble the filter system.

## 7 - Recycling

### DISPOSAL OF THE UNIT

Appliances bearing the symbol shown here may not be disposed of in domestic rubbish. You are required to dispose of old electrical and electronic appliances like this separately.

Please visit [www.recycle-more.co.uk](http://www.recycle-more.co.uk) or [www.recyclenow.co.uk](http://www.recyclenow.co.uk) for access to information about the recycling of electrical items.

Please visit [www.weeeireland.ie](http://www.weeeireland.ie) for access to information about the recycling of electrical items purchased in Ireland.

The WEEE directive, introduced in August 2006, states that all electrical items must be recycled, rather than taken to landfill.

Please arrange to take this appliance to your local Civic Amenity site for recycling, once it has reached the end of its life.



## 8 - Cleaning & Care

### Emptying the Dust Tank:

1. To empty the dust tank, begin by pulling the release button on the bottom of the tank to separate it from the main unit.
2. Pull the inlet filter out of the dust tank and shake the tank's contents into a dustbin
3. Once you have emptied the dust tank, fit the filter back into place and affix the dust tank back onto the body of the unit until it clicks into place. Use the recessed area at the edge of the tank as a guide for how to position the tank when re-fitting it into place.

### Cleaning the Unit Body:

1. Before cleaning the unit body, ensure the unit is disconnected from the mains supply and not in operation.
2. Use a damp cloth to clean the unit body. Never use any abrasive cleaning materials or solvents, as these could cause damage to the surface of the unit.

**WARNING!** DO NOT allow any liquids into the unit, as this could cause damage to the electrical components and cause it to malfunction.

### Cleaning the roller brush :

1. To clean the roller brush, first insert a coin or another small object into the brush lock slot located on the underside of the brush, then turn it counter-clockwise to loosen the roller brush within.
2. Lift the lock slot cover and pull out the roller brush.
3. Remove fluff, hairs and other dirt from the brush, then fit it back into place.
4. Close the lock slot cover and rotate it clockwise to tighten and secure the roller brush in place.

### Storing the Appliance:

1. When not using the vacuum for extended periods of time, store the unit in a cool, dry place, preferably inside its original packaging.

## 9 - Wiring Safety for UK Use Only

### *(Power adapters only)*

Never open the power adapter, you risk getting an electric shock.

Only use the power adapter that is supplied with your product.

You must always connect the power adapter to the product before connecting to the mains power supply.

The power adapter must be used indoors only, and must not be subjected to damp conditions.

The power adapter does not have any user serviceable parts.

If in doubt, consult a qualified electrician who will be pleased to do this for you.

If you need to remove the plug – disconnect it from the mains – and then cut it off of the mains lead and immediately dispose of it in a safe manner. Never attempt to reuse the plug or insert it into a socket outlet as there is a danger of an electric shock.

#### **WARNING:**

Do not attempt to open any part of the power adaptor or plug.

## 10 - Warranty

**3\*** | YEAR  
GUARANTEE



**GREAT BRITISH**  
DESIGN SINCE 1912

As a thank you for purchasing one of our fantastic products, we are offering you an extra 2 years peace of mind in addition to your 1 year guarantee.

To receive your extra 2 year guarantee, register your appliance online within 28 days of purchase by visiting [www.towerhousewares.co.uk](http://www.towerhousewares.co.uk)



This product is guaranteed for 12 months from the date of original purchase. If any defect arises due to faulty materials of workmanship, the faulty products must be returned to the place of purchase. Refund or replacement is at the discretion of the retailer.

### The Following Conditions Apply:

- The product must be returned to the retailer with proof of purchase or a receipt.
- The product must be installed and used in accordance with the instructions contained in this instruction guide.
- It must be used only for domestic purposes.
- It does not cover wear and tear, damage, misuse or consumable parts.
- Tower has limited liability for incidental or consequential loss or damage.

This guarantee is valid in the UK and Eire only.

The standard one year guarantee is only extended to the maximum available for each particular product upon registration of the product within 28 days of purchase. If you do not register the product with us within the 28 day period, your product is guaranteed for 1 year only.

To validate your extended warranty, please visit [www.towerhousewares.co.uk](http://www.towerhousewares.co.uk) and register with us online.

Please note that length of extended warranty offered is dependent on product type and that each qualifying product needs to be registered individually in order to extend its warranty past the standard 1 year. Extended warranty is only valid with proof of purchase or receipt.

Notes:

# TOWER®

over 100 YEARS of quality

*thank you!*

We hope you enjoy your appliance for many years. As a thank you for purchasing one of our fantastic products, we are offering you an extra 2 years peace of mind.

\*To receive your extra 2 years guarantee, register your appliance online within 28 days of purchase by visiting:

**[www.towerhousewares.co.uk](http://www.towerhousewares.co.uk)**

Should you have a problem with your appliance, or need any spare parts, please call our Customer Support Team on:

**+44 (0) 333 220 6066**

Your warranty becomes void should you decide to use non Tower spare parts. Spare parts can be purchased from **[www.towerhousewares.co.uk](http://www.towerhousewares.co.uk)**

